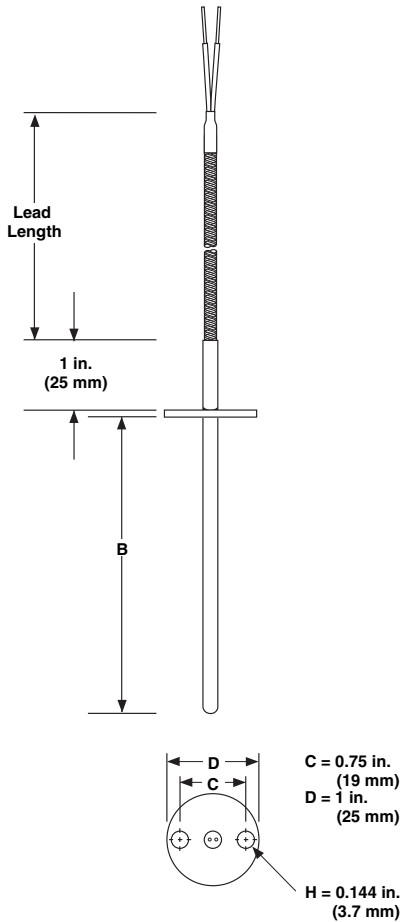


Thermocouples

General Applications

Flange Style 25



The flanged thermocouple allows rapid assembly and low profile when going through bulkheads.

*Not available with 1/8 inch diameter sheath.

Metric sizes available for made-to-order units, consult factory. Minimum order quantity may apply.

Rapid Ship Sensors

Rapid Ship sensors come with 3/16 inch diameter sheath, 24 gauge stranded fiberglass lead with stainless steel overbraid, grounded junction and a split lead termination.

Calibration	"B" Dimension		Lead Length		Part Number
	in.	(mm)	in.	(mm)	
J	2	(51)	48	(1219)	25DJSGD048A
			96	(2438)	25DJSGD096A
	4	(102)	48	(1219)	25DJSGH048A
			96	(2438)	25DJSGH096A

Custom Ordering Information—Items in **Bolded Green Type** are preferred with shorter lead times.

1 2 3 4 5 6 7 8 9 10 11



1-2. Construction Style

25 = Thermocouple with flange

3. Sheath Diameter (inch), 316 SS

C = 1/8 T = 3/16 epoxy sealed 149°C (300°F)

D = 3/16

4. Calibration

J = Type J T = Type T

K = Type K E = Type E

5. Lead Protection

F = Fiberglass (24 gauge stranded)

S = Fiberglass with stainless steel overbraid (24 gauge stranded)

H = Fiberglass with stainless steel hose (24 gauge stranded)

*P = Fiberglass (20 gauge stranded)

*B = Fiberglass with stainless steel overbraid (20 gauge stranded)

*C = Fiberglass with stainless steel hose (20 gauge stranded)

T = PFA (24 gauge stranded)

U = PFA with stainless steel overbraid (24 gauge stranded)

K = PFA with stainless steel hose (24 gauge stranded)

*V = PFA (20 gauge stranded)

*W = PFA with stainless steel overbraid (20 gauge stranded)

*Y = PFA with stainless steel hose (20 gauge stranded)

6. Junction

F = Grounded, flat tip

P = Ungrounded, drill point

G = Grounded, round tip

E = Exposed

D = Grounded, drill point

*H = Grounded, round tip, dual element

R = Ungrounded, flat tip

*S = Ungrounded, round tip, dual element

U = Ungrounded, round tip

7. "B" Dimension (inches)

D = 2 H = 4 M = 6 R = 8 W = 10

E = 2 1/2 J = 4 1/2 N = 6 1/2 S = 8 1/2 Y = 11

F = 3 K = 5 P = 7 T = 9 Z = 12

G = 3 1/2 L = 5 1/2 Q = 7 1/2 U = 9 1/2

8-10. Lead Length (inches)

012, 024, 036, 040, 048, 060, 072, 079, 096 and 120

Available lengths: 006 to 360, over 360 consult factory

11. Terminations/Options

A = Standard, 2 1/2 inch split leads

B = 2 1/2 inch split leads with #6 spade lugs

C = 2 1/2 inch split leads with #6 spade lugs and BX connector

D = Standard male plug, quick disconnect

E = Standard female jack, quick disconnect

F = Miniature male plug, quick disconnect

G = Miniature female jack, quick disconnect

H = 1/4 inch push-on connector